

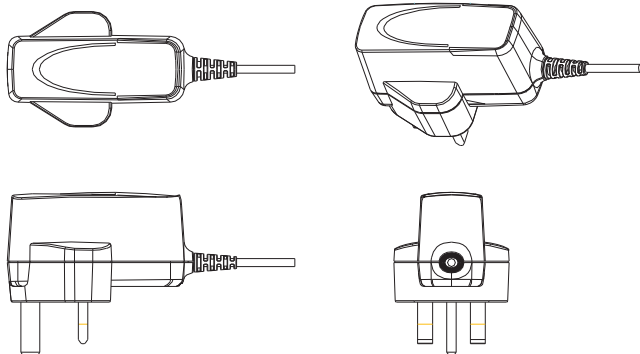
Switch Mode Power Supply

**3.6W
Series**



Inside

**MASS ONE
Catalogue**



Specification

Input Voltage Range: 90-264Vac
 Input Frequency Range: 47-63Hz
 Input Current: 0.1A max.
 Inrush Current: 60A at 230Vac, Cold Star, 25°C
 Efficiency Level: V
 Ripple and Noise: 100-160mV
 Altitude: 2000m

Safety Parameter

Operation Temp.: 0-40°C
 Abnormal Sound: 40db max., no sound room
 Leakage Current: <0.25mA
 Insulation Resistance: 50M ohm min.
 Dielectric Withstanding Strength: 3000Vac, 60 Sec.

Safety Standard

IEC60950-1 Class B
 UL60950-1 / CSA 22.2 No. 60950-1
 EN60950-1
 BS EN60950-1
 AS/NZS 60950.1
 GB4943
 J60950
 K60950

EMC Standard

IEC61000-3-2 Conducted Emissions
 IEC61000-3-3 Radiated Emissions
 IEC61000-4-2 Electrostatic discharge Immunity
 IEC61000-4-3 Radiated electromagnetic fields Immunity
 IEC61000-4-4 Fast Transient Immunity
 IEC61000-4-5 Surge Immunity
 IEC61000-4-6 Conducted disturbance Immunity
 IEC61000-4-11 Voltage dips, interruptions & variations

Reliability

MTBF: 50000 Hours
 Electroanalysis Capacitor Life: >12000 Hours
 Thermal Derating: <80%
 Drop: 1000mm to concrete

Model Number Rules

Model: SBFxxxxyyyzz1mn
 S: Series SMPS
 B: 3.5W
 F: Full Range (100-240Vac)
 xxx: Output Voltage
 yyy: Output Current
 z: Input Plug Type
 A=American AC Plug E=European AC Plug G=United Kingdom AC Plug
 I=Australian AC Plug K=Korean AC Plug M=Argentine AC Plug
 O=Indian AC Plug U=Universal AC Plug
 1: Single Output
 m: Color of Enclosure
 B=Black W=White G=Gray L=Blue N=No Color
 n: Customer Code (A-Z, 0-9 or Blank)

Model	Input	Frequency	Output			Plug Type	Countries
	Vac		Hz	Vdc	A Max.		
SBFxxxxyyyzz1mn	100-240	50-60	3.0-5.0	0.80	3.6	Direct Plug-in	Europe, USA, Canada, United Kingdom, Australia, New Zealand, China, Japan, Korea
SBFxxxxyyyzz1mn	100-240	50-60	5.1-9.0	0.70	3.6		
SBFxxxxyyyzz1mn	100-240	50-60	9.1-12.0	0.39	3.6		
SBFxxxxyyyzz1mn	100-240	50-60	12.1-16.0	0.29	3.6		